



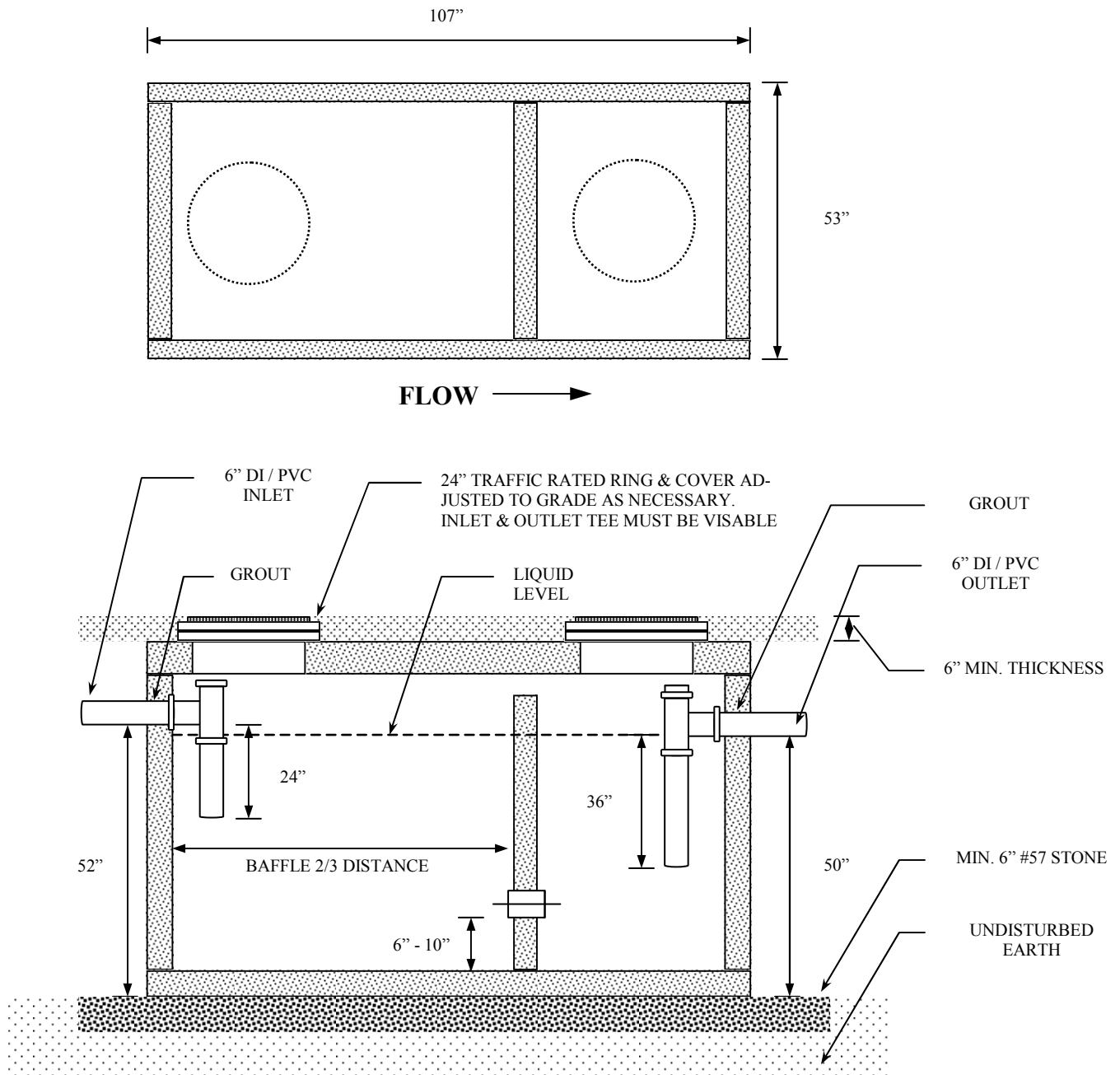
City of Cartersville

W A T E R D E P A R T M E N T

1,000 GALLON GREASE INTERCEPTOR

REVISED: 7/2/07

DRAWING NOT TO SCALE



NOTES:

- CONCRETE TO BE 4000 PSI @ 28 DAYS
- BUTYL RUBBER SEALANT USED AT JOINTS
- 24" ACCESS HOLE SUITABLE FOR RING AND COVER