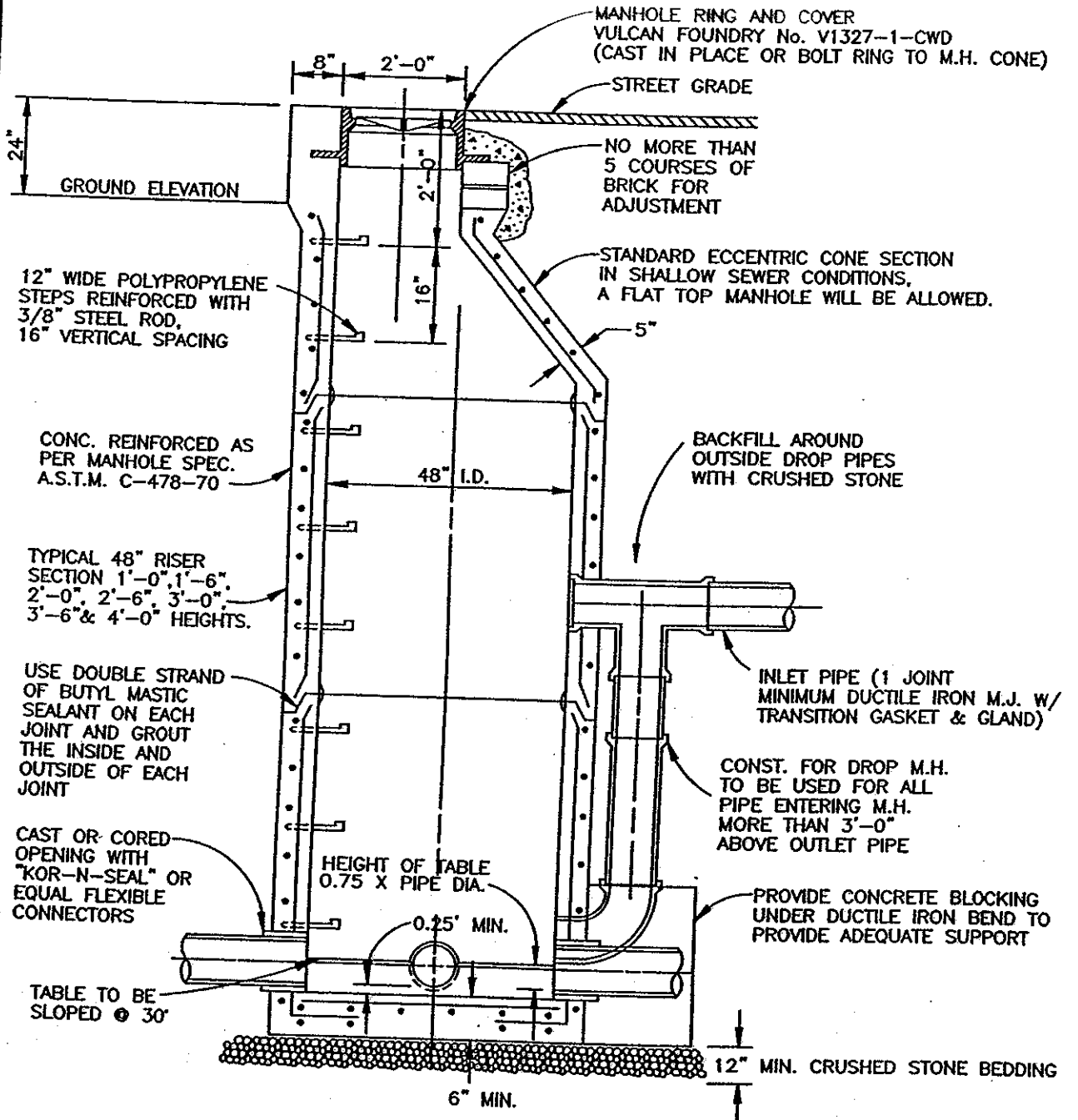


NOTE:

MANHOLES TO BE FLUSH WITH PAVEMENT IN PAVED AREAS.
 MANHOLES ON OUTFALL LINES ARE TO BE 24" ABOVE GROUND.
 WATERTIGHT MANHOLE FRAME AND COVERS SHALL BE DESIGNATED ON PLAN AND PROFILE.



NOTE:

PROVIDE MINIMUM 0.25' DROP THROUGH MANHOLE.

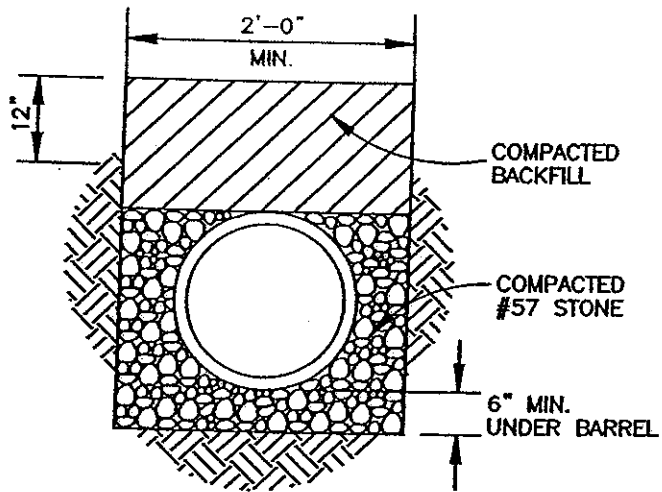
**CITY OF
 CARTERSVILLE**
 WATER DEPARTMENT

**PRECAST
 CONCRETE
 MANHOLE**
 CONSTRUCTION STANDARD

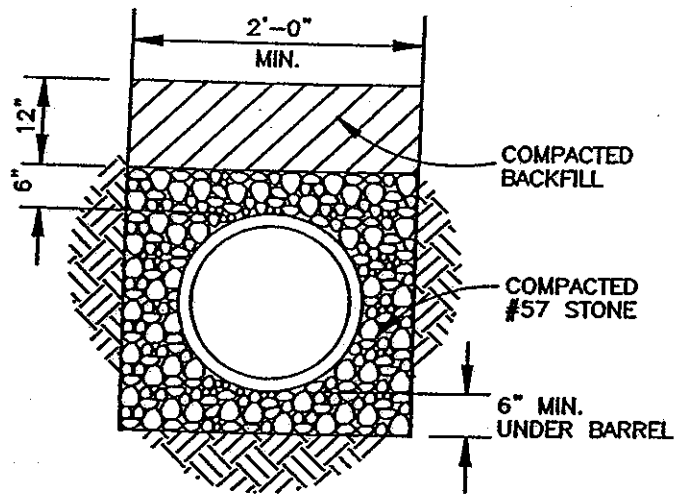
DATE: MAR. '96

APPROVED:

STANDARD
 NO.
4.6.01



STANDARD D.I.P. PIPE
BEDDING DETAIL
 FULL RUNS (MH TO MH) ONLY



STANDARD P.V.C. PIPE
BEDDING DETAIL

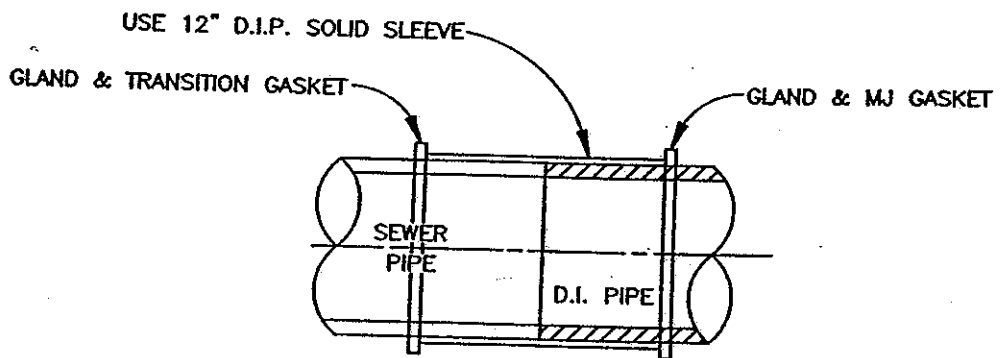
**CITY OF
 CARTERSVILLE**
 WATER DEPARTMENT

**STANDARD
 PIPE BEDDING
 DETAIL**
 CONSTRUCTION STANDARD

DATE: MAR. '96

APPROVED:

STANDARD
 NO.
 4.6.02

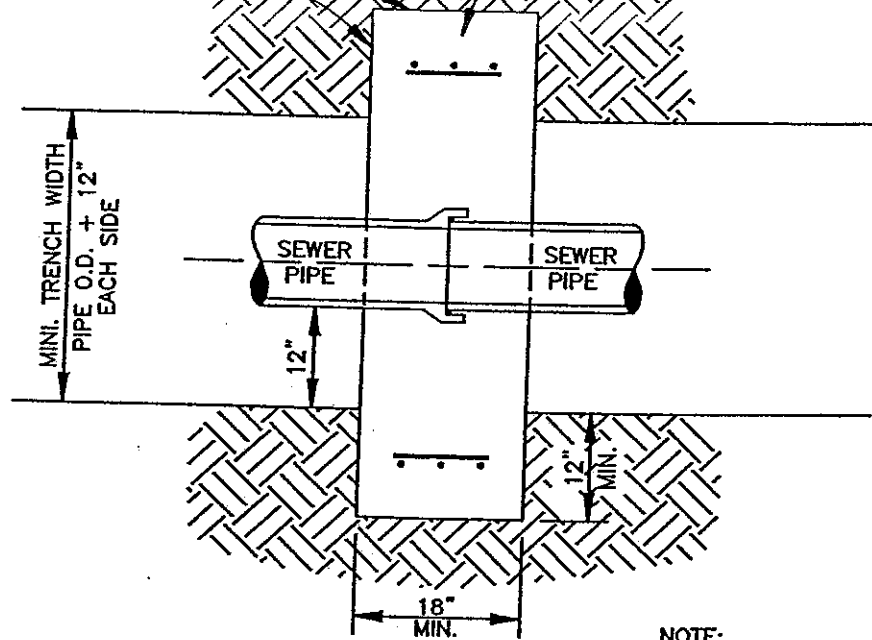


TYPICAL DETAIL
JOINING D.I. PIPE TO SEWER PIPE

CITY OF CARTERSVILLE WATER DEPARTMENT	TYPICAL PIPE ADAPTER CONSTRUCTION STANDARD		DATE:	MAR. '96	STANDARD NO. 4.6.03
			APPROVED:		

POUR CONCRETE AGAINST NATURAL UNDISTURBED SOIL

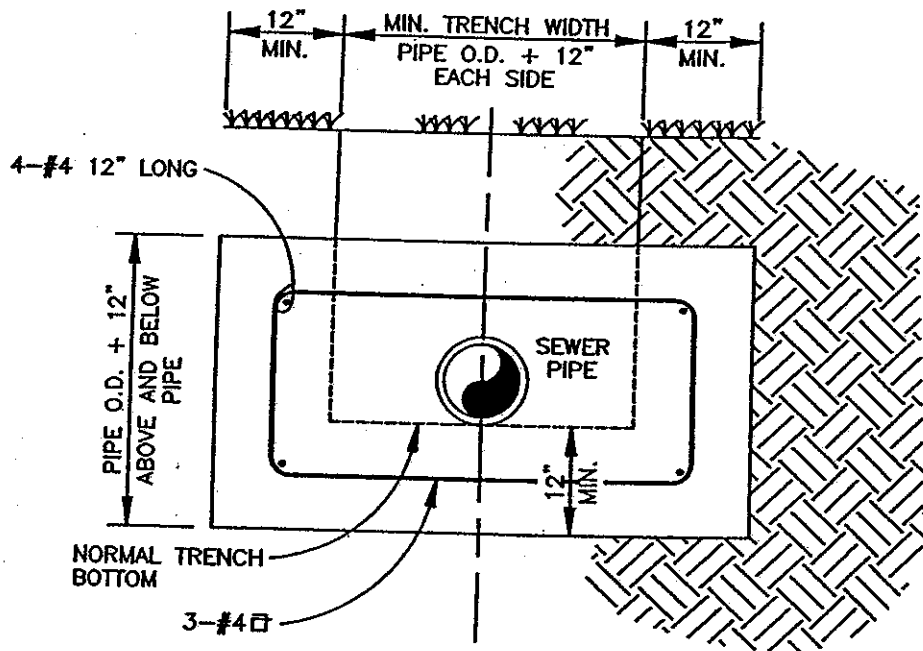
CLASS B CONC.



PLAN

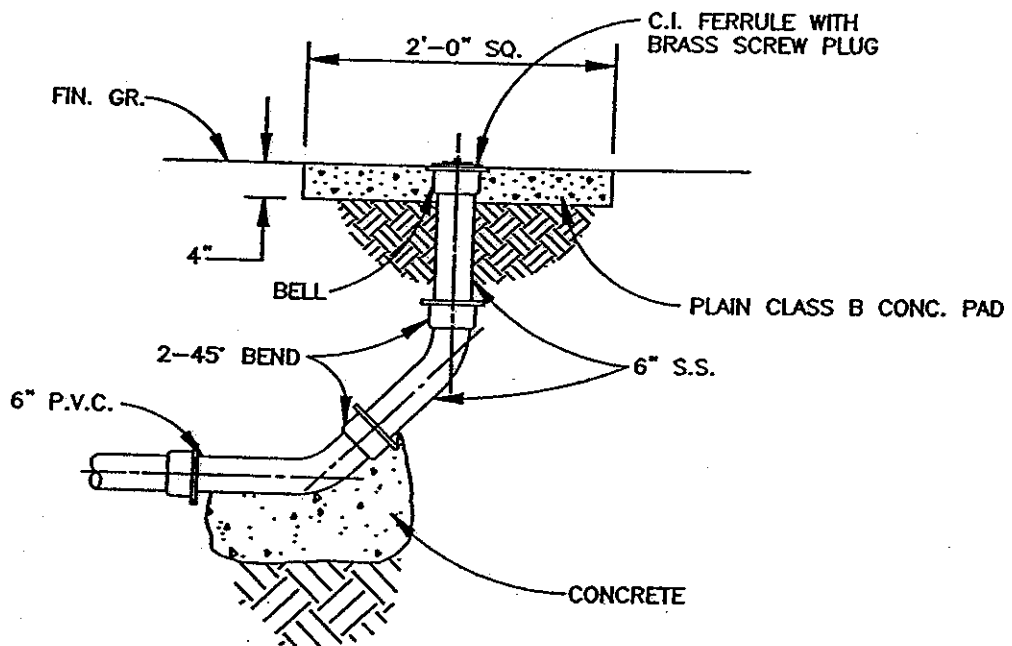
NOTE:

COLLAR REQUIRED AT EVERY PIPE JOINT.



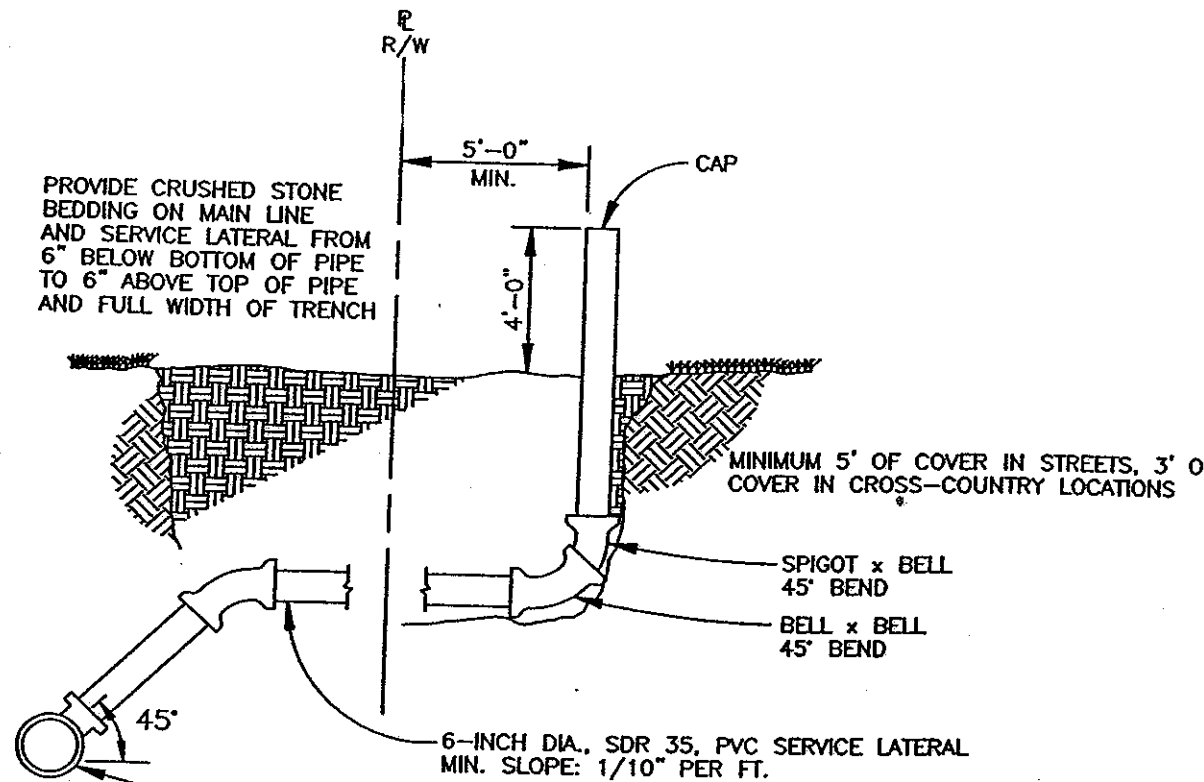
SECTION

<p>CITY OF CARTERSVILLE</p> <p>WATER DEPARTMENT</p>	<p>SEWER PIPE ANCHOR</p> <p>(SLOPES 20% OR MORE)</p> <p>CONSTRUCTION STANDARD</p>		DATE: MAR. '96	<p>STANDARD NO. 4.6.04</p>
			APPROVED:	

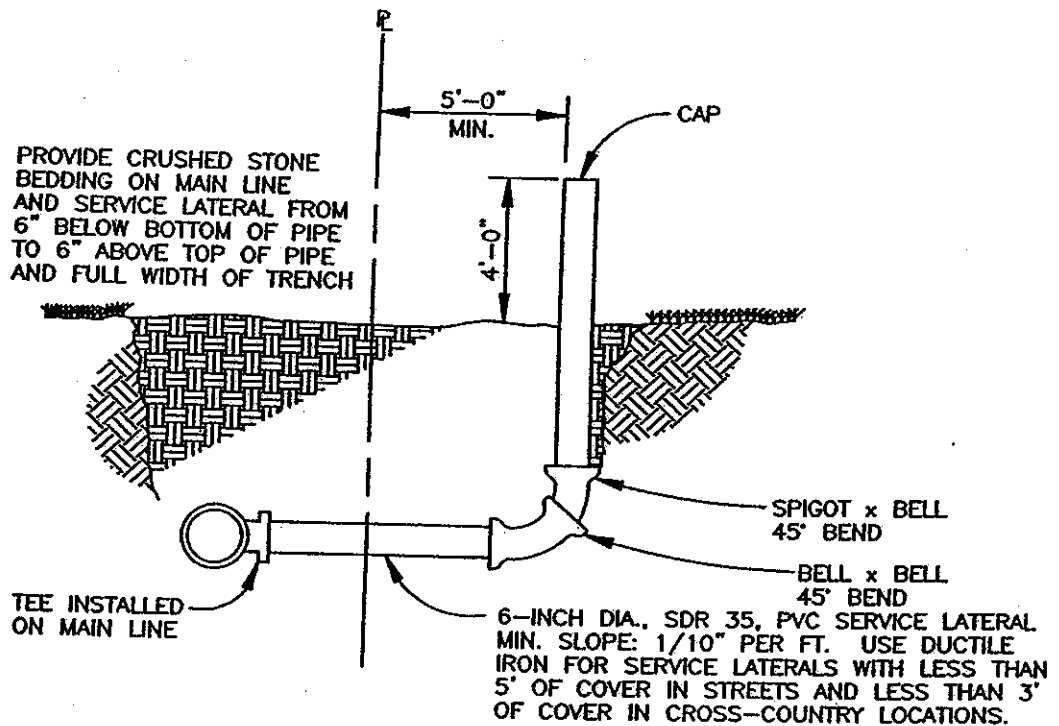


CLEANOUT DETAIL

CITY OF CARTERSVILLE WATER DEPARTMENT	CLEANOUT DETAIL (COMMERCIAL OR PAVED AREAS) CONSTRUCTION STANDARD	DATE: MAR. '96	STANDARD NO. 4.6.05
		APPROVED: _____	



ALTERNATE SERVICE LATERAL LAYOUT. INSTALL TEE AT 45° ANGLE AND USE 45° TO ADJUST LATERAL TO HORIZONTAL USE THIS CONFIGURATION FOR DEEP LINES



CITY OF
CARTERSVILLE

SEWER SPECIFICATIONS

SEWER SERVICE
LATERAL

STANDARD DETAIL

DATE: MAR. '96

APPROVED:

STANDARD
NO.

4.6.06